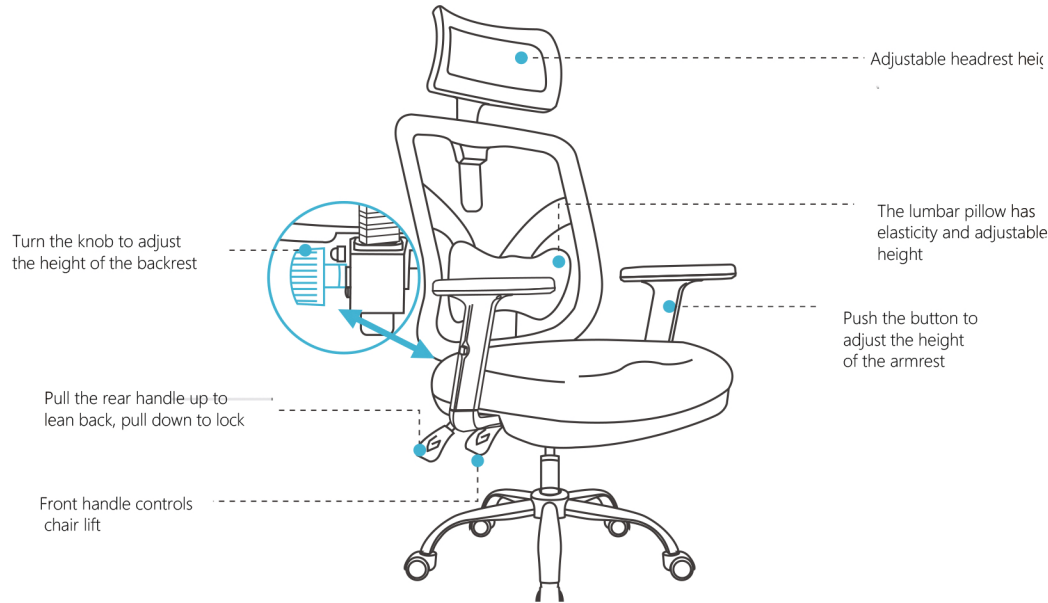

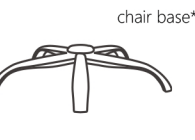
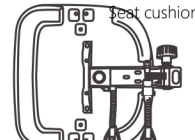
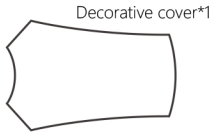
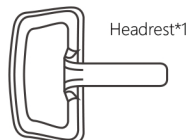
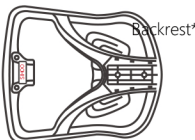
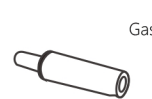




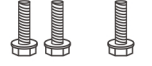



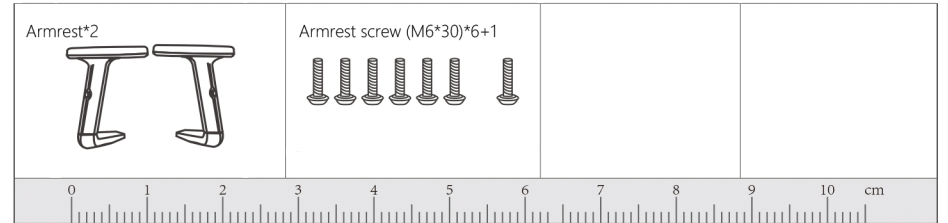
PRODUCT INSTALLATION GUIDE

Installation diagram (subject to actual size)

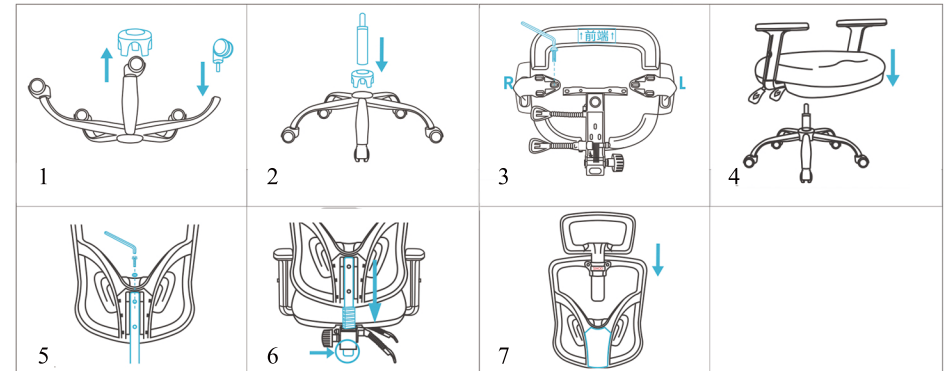


Accessories list (subject to actual size; each type of screw is equipped with spare screws; unit: piece/set)

 caster*5	 chair base*1	 seat cushion*1	 Decorative cover*1
 Headrest*1	 Backrest*1	 Gas lift*1	 Hex wrench*1
 chair leg cover*1	 Large gasket*2+1	 Snake cover*1	 Back steel pipe screw (M8*30)*2+1
Note: The chair leg cover is buckled under the chair leg, please remove it first		 Back steel pipe*1	



Function diagram (subject to actual size)



1. Remove the chair foot cover from the chair leg, and press the wheel directly into the chair leg
2. The chair leg cover is first buckled into the chair leg, and the gas lift is put into the middle hole of the chair leg;
3. Connect the seat cushion and the armrest with 6 M6*30 armrest screws, pay attention to

4. Align the upper part of the assembled chair and insert the gas lift. The chair cannot be seated before it is installed.
5. Use 2 back steel pipe screws (M8*30) to enlarge the gasket to connect the back steel pipe and the backrest
6. The back steel pipe passes through the serpentine sleeve and then through the hole on the mechanism, otherwise the mechanism will be easily damaged
7. Insert the headrest into the back of the chair, cover the decorative cover, and the installation is finished.