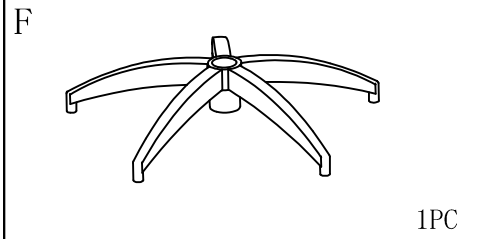
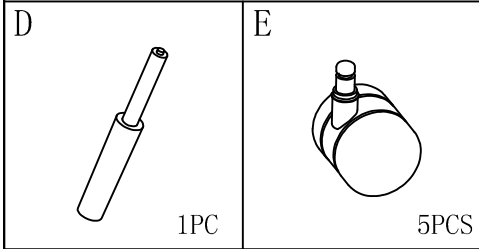
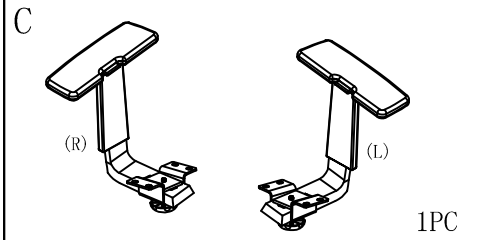
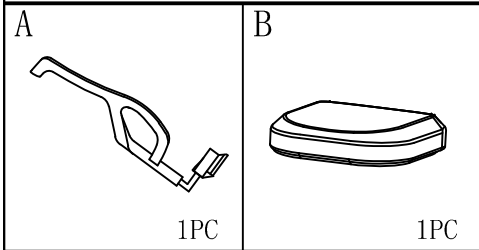


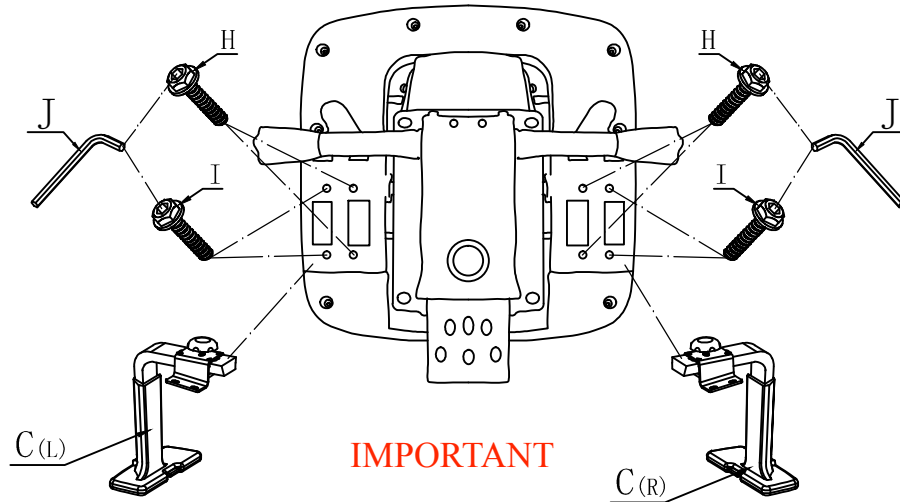
# Assembling Office Chair PC-B05

Please check all the components before install



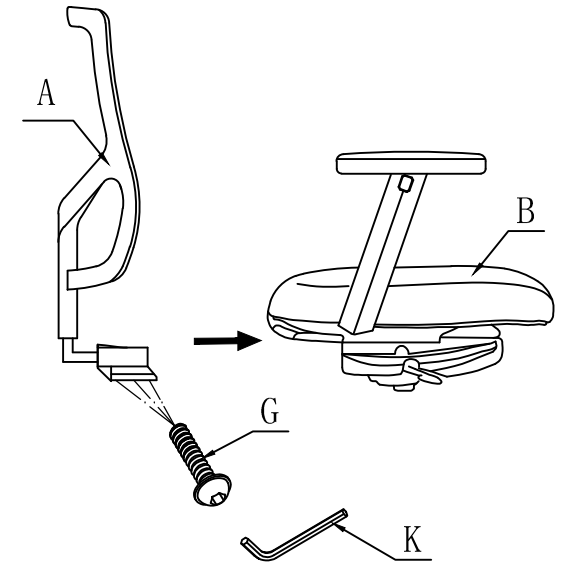
G		M8*12	3PCS
H		M6*25	4PCS
I		M6*30	4PCS
J		5mm	1PC
K		6mm	1PC

## STEP1

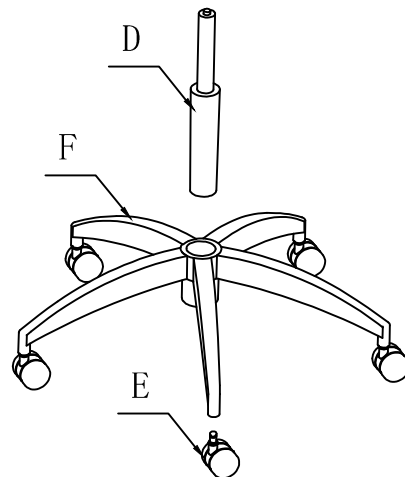


**IMPORTANT**  
 Armrests adaptor already assembled.  
 Slide armrests into the adaptor and tighten with big black screw

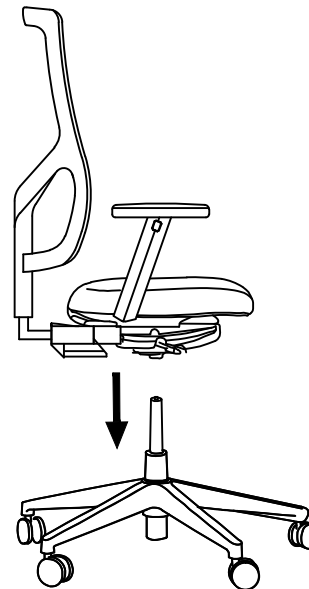
## STEP2



## STEP3



## STEP4



## STEP5

